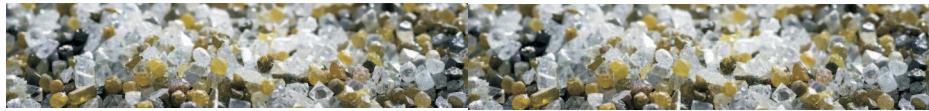
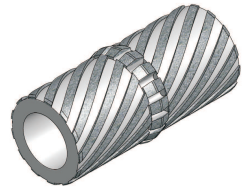


In July 2010, **Diamix** joined **Pedersen**, a French manufacturer of tungsten carbide parts and hard-metal tools. Thanks to this synergy in hard materials (carbide and diamond) we can offer the composite industries a wider range of standard or customized tools: diamond electroplated tools, polycrystalline diamond (PCD) tools, resin- or metal-bonded wheels, carbide tools

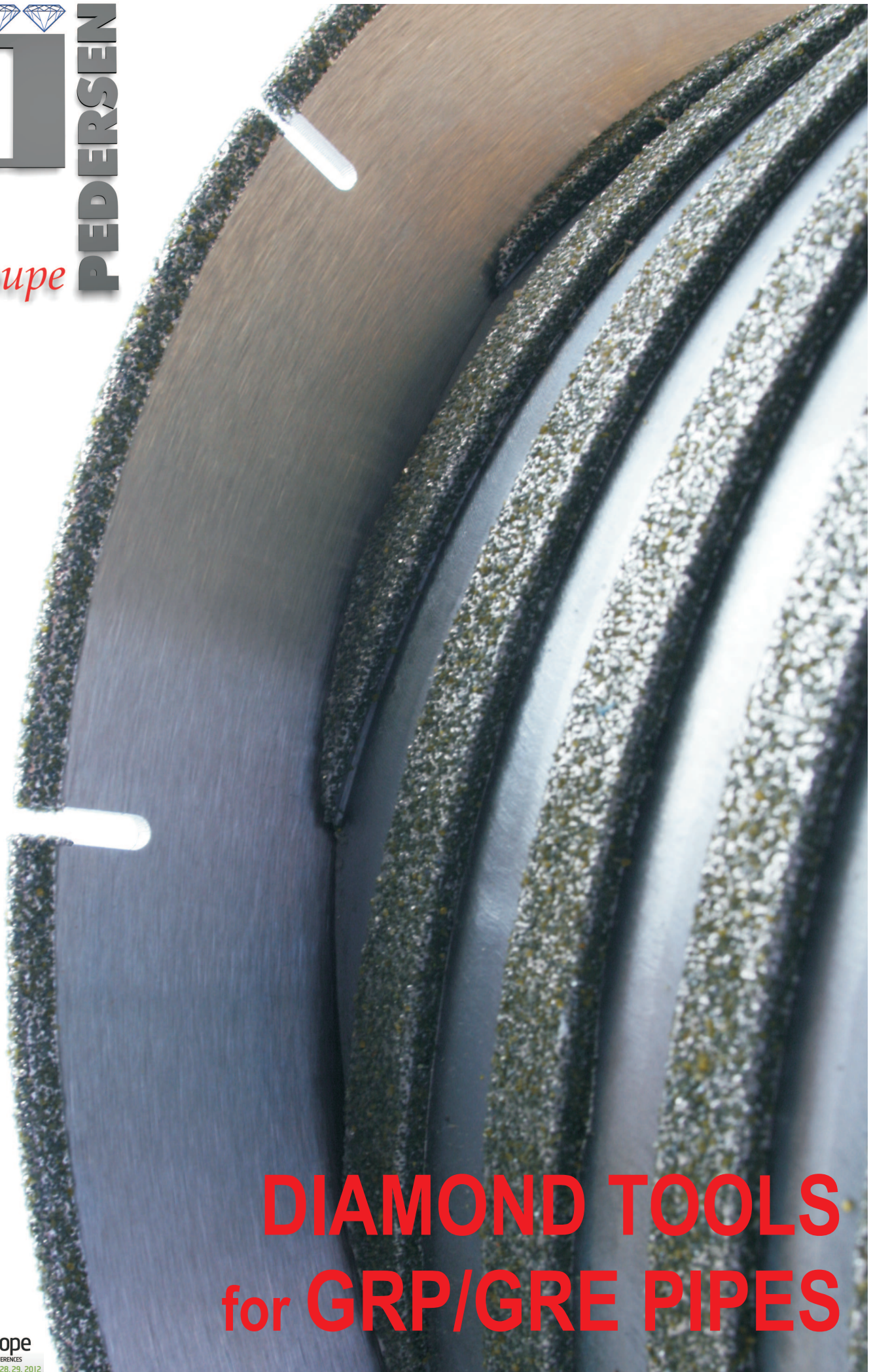


Our main strong points: a full range of tools for glass fibre reinforced plastics (GRP), including new and stripped & replated tools (grinding drums, calibration wheels, stop wheels, groove and chamfering wheels, low noise saw blades, drill bits, mill hole saws and core bits, etc..). We hold in stock the most popular tools for fast delivery.



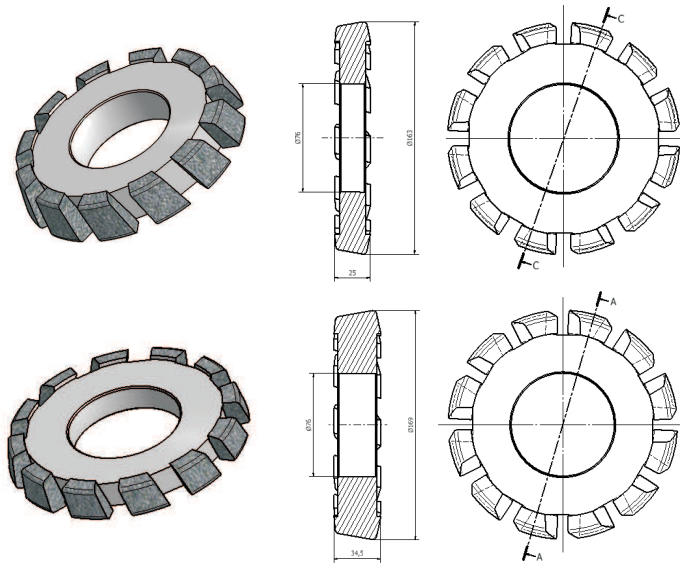
Zone	Contact	Mail
MIDDLE EAST AFRICA SOUTH AMERICA	Sabrina LATRECHE	sabrina.latreche@pedersen.fr
NORTHERN AMERICA NORTHERN EUROPE	Sylviane COCKERILL	sylviane.cockerill@pedersen.fr
EASTERN EUROPE SOUTHERN EUROPE	Nicolas NISON	nicolas.nison@pedersen.fr

GRUPE PEDERSEN - 12, rue d'Arsonval - F69680 CHASSIEU - FRANCE
Tél : +33 478 901 234 - Fax +33 478 401 336
www.pedersen.fr - contact@pedersen.fr

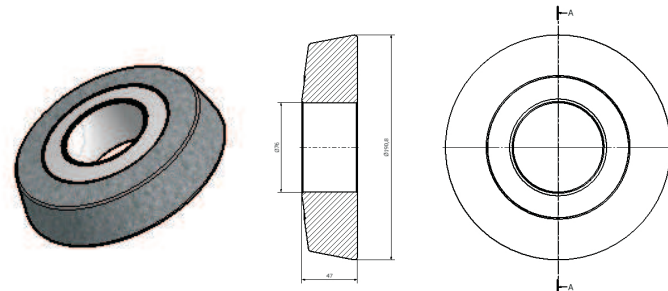


DIAMOND TOOLS
for **GRP/GRE PIPES**

Groove wheels

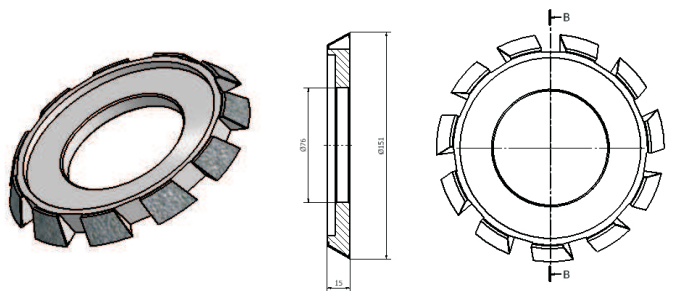


D mm	L	h	S	GRIT	FLOWTITE PART N°	UP €
85	18,3	40		D602	6DGD 00641	152 €
163	25	76		D602	6DGD 01159	215 €
169				D602	6DGD 01158	217 €
190,8				D602	6DGD 02673	460 €



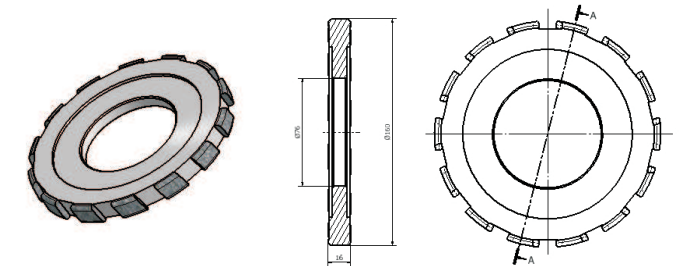
Continuous groove wheel (Knurling design)

Chamfering wheels



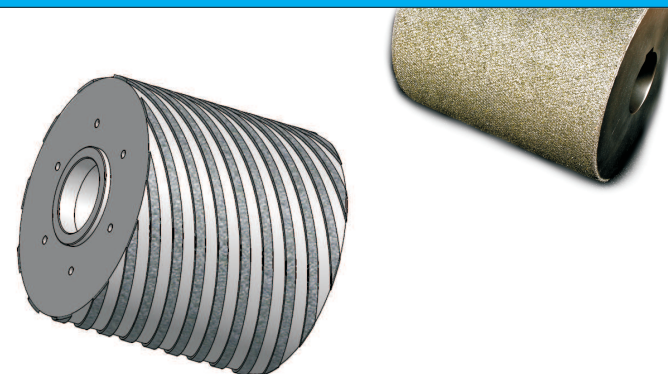
D mm	L	h	S	GRIT	FLOWTITE PART N°	UP €
151	15	76		D602	6DHS 00110	170 €

Stop wheels



D mm	L	h	S	GRIT	FLOWTITE PART N°	UP €
160	16,2	76		D602	6DSD 00112	170 €

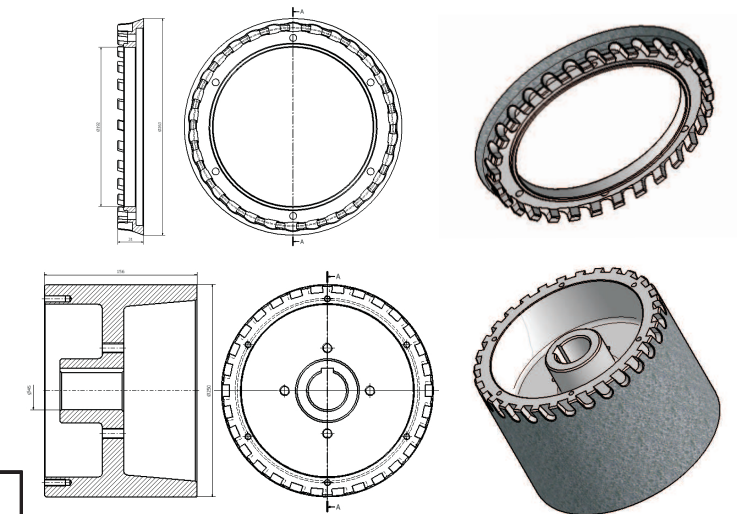
Grinding drums



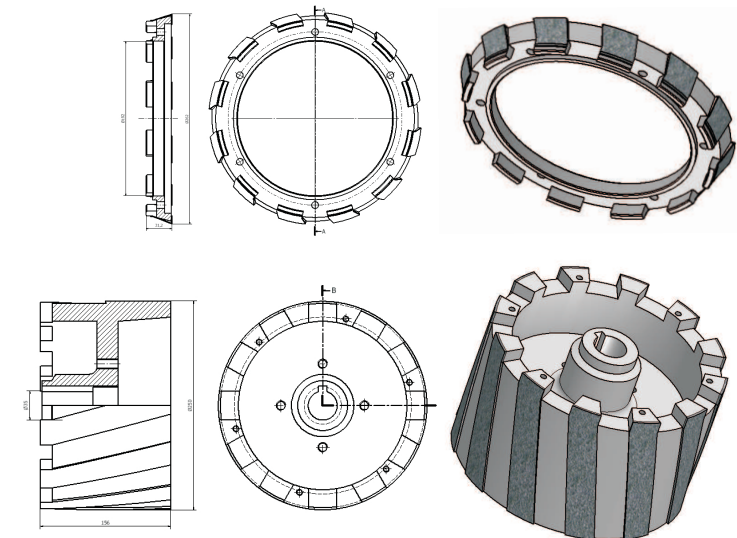
D mm	L	h	S	GRIT	FLOWTITE PART N°	UP €
250	180	50				

UPON REQUEST

Set calibration drums & chamfering wheels



D mm	L	h	S	GRIT	FLOWTITE PART N°	UP €
250	156	45		D602	6DADL 00002	1 490 €
263	31	192		D602	6DADL 03844	420 €
250	156	45		D602	6DADL 08345	1 100 €
263	31	192		D602	6DHDL 00001	525 €



Low noise saw blades

D mm	L	h	S	GRIT	FLOWTITE PART N°	UP €
200	4,2	76	3B	D427	6DBD 00108	110 €
210	4,2	76	3B	D427	6DBD 00109	110 €
215	4,2	76	3B	D427	6DBD 01390	110 €
225	4,2	76	3B	D427		110 €
225	4,2	22,2	3B	D427		
230	3	22,2	3B	D427		
230	4,2	76	2B	D427		
230	4,2	40	2B	D427		
235	4,2	76	3B	D427	6DBSS 03573	121 €
250	4,2	76	3B	D427		120 €
266	4,2	160	3B	D427		
290 LN	3,6	40	3B	D502		
300 LN	3,6	40	3B	D602	6DBSL 04290	180 €
350 LN	4,2	50	3B	D502		
400 LN	3,6	40	3B	D602		205 €
400 LN	3,6	50	3B	D602	6DBSS 03167	205 €



All our prices are exclusive of carriage.